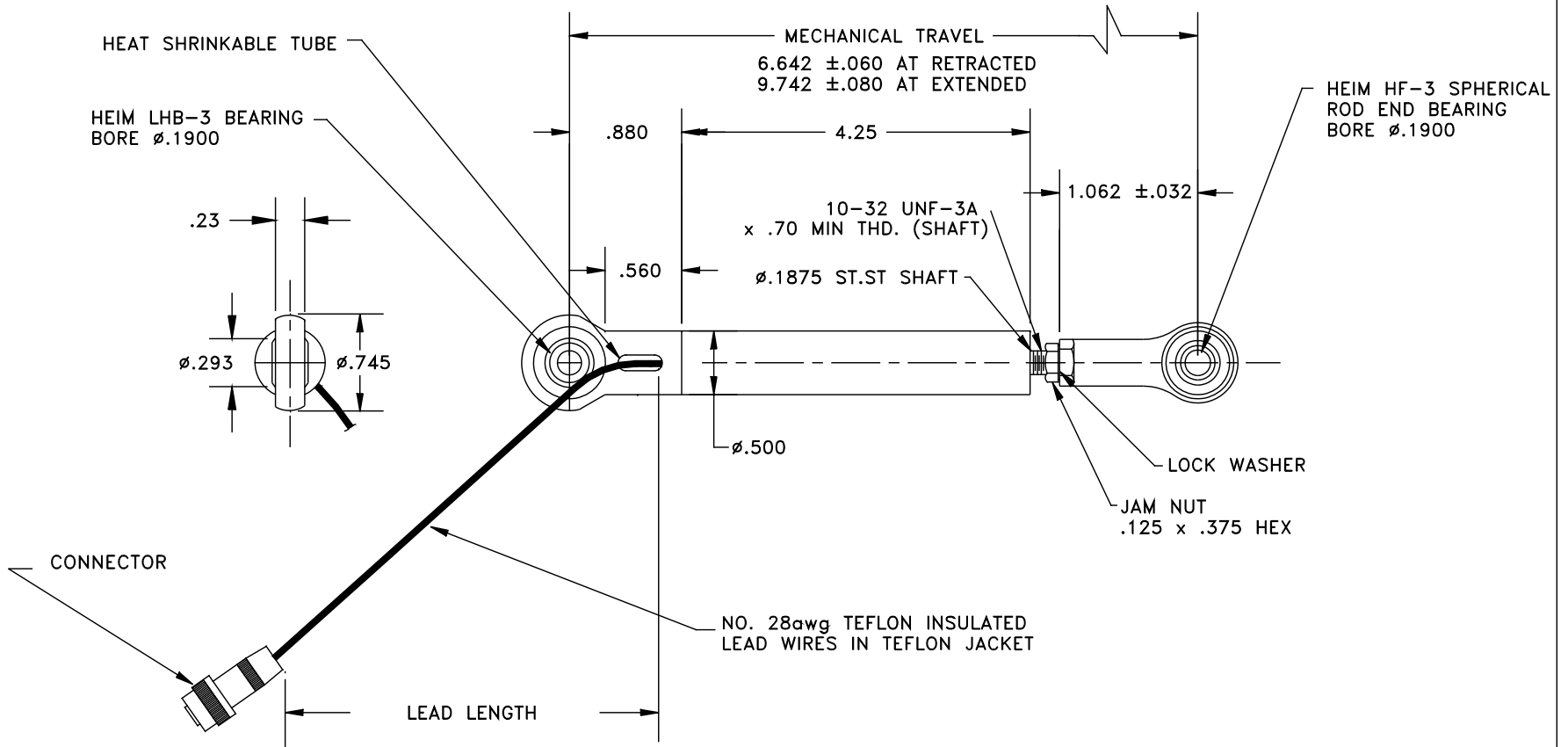


# SERIES 8008 – LINEAR WITH ROD END BEARINGS – CONDUCTIVE PLASTIC



## SPECIFICATIONS

### MECHANICAL

MECHANICAL LENGTH: UP TO 10"

### ELECTRICAL

STANDARD RESISTANCE: 1K, 2K, 5K, 10K, 20K, 50K, 100K

ELECTRICAL ANGLE: UP TO 9.5"

LINEARITY: 5% DOWN TO .2% (INDEPENDENT)  
(DEPENDANT ON ANGLE AND RESISTANCE)

OUTPUT SMOOTHNESS: 0.25%

POWER RATING: 1.2 WATTS NOMINAL

INSULATION RESISTANCE: 1000 MEGOHMS @ 500 VDC

DIELECTRIC STRENGTH: 1000 VRMS

### MATERIALS

CONTACTS: MULTI FINGER PRECIOUS METAL

ELEMENTS: CONDUCTIVE PLASTIC

### ENVIRONMENTAL

TEMPERATURE: -65° C TO +125° C

LIFE: THE OPERATIONAL LIFE OF THE  
POTENTIOMETER SHALL BE  
10 X 10E6 CYCLES.

### OPTIONAL FEATURES TERMINATIONS:

LEAD WIRE  
ABSOLUTE LINEARITY

