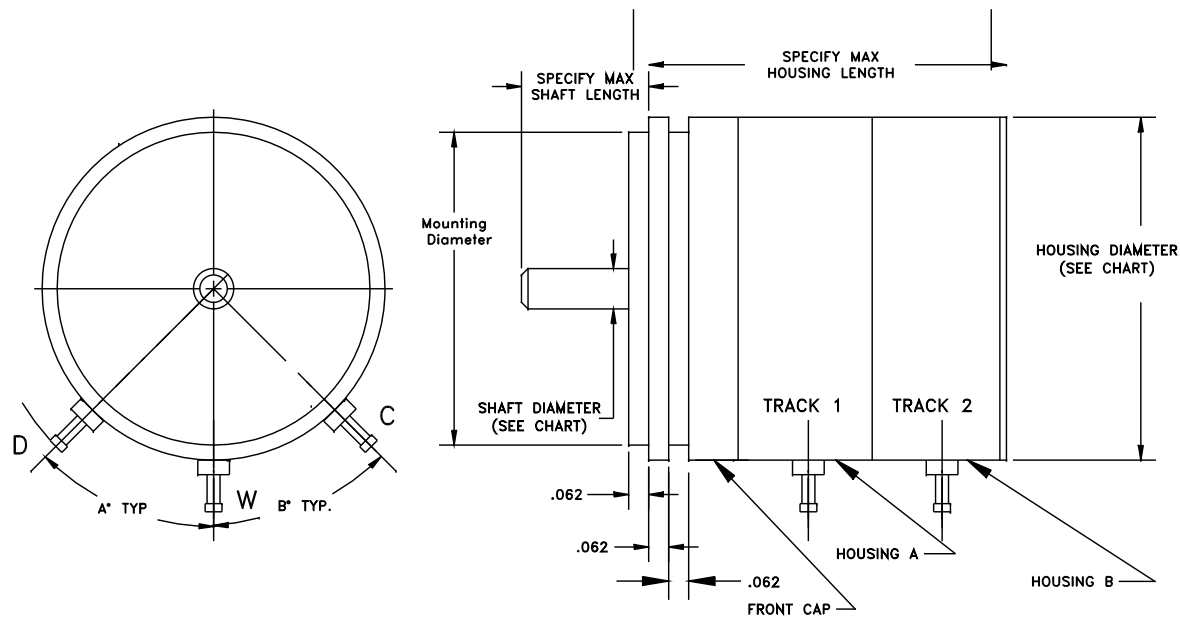


SERIES 8004 – MULTI GANG – CONDUCTIVE PLASTIC



SPECIFICATIONS

MECHANICAL

MECHANICAL ANGLE: 360° CONTINUOUS
STOP AVAILABLE FROM 70°

ELECTRICAL

STANDARD RESISTANCE: 1K, 2K, 5K, 10K, 20K, 50K, 100K
ELECTRICAL ANGLE: ±55° to 350°
LINEARITY: 5% DOWN TO .2% (INDEPENDENT)
(DEPENDANT ON ANGLE AND RESISTANCE)

OUTPUT SMOOTHNESS: 0.25%

POWER RATING: 1.2 WATTS NOMINAL

INSULATION RESISTANCE: 1000 MEGOHMS @ 500 VDC

DIELECTRIC STRENGTH: 1000 VRMS

TRACKING: THE TRACKS OF EACH POTENTIOMETER SHALL

BE WITHIN 2 X LINEARITY TOLERANCE

BACKLASH: 3 MINUTES OF ARC MAX.

MATERIALS

ANODIZED ALUMINUM HOUSING

STAINLESS STEEL SHAFT

CONTACTS: MULTI FINGER PRECIOUS METAL

ELEMENTS: CONDUCTIVE PLASTIC

ENVIRONMENTAL

TEMPERATURE: -65° C TO +125° C

LIFE: THE OPERATIONAL LIFE OF THE POTENTIOMETER
SHALL BE 10 X 10E6 CYCLES.

OPTIONAL FEATURES

TERMINATIONS:

TERMINALS

LEAD WIRE

ENVIRONMENTAL SEALS

ABSOLUTE LINEARITY

STANDARD SHAFT DIAMETERS:

ø.125, ø.250

STANDARD HOUSING DIAMETERS:

ø.875, ø1.370, ø1.5, ø1.75, ø2.0

