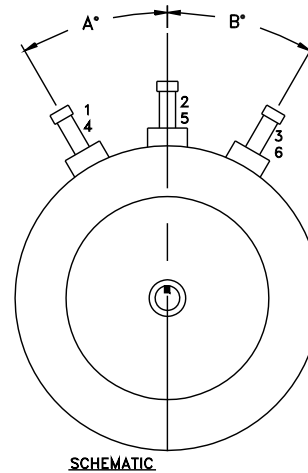
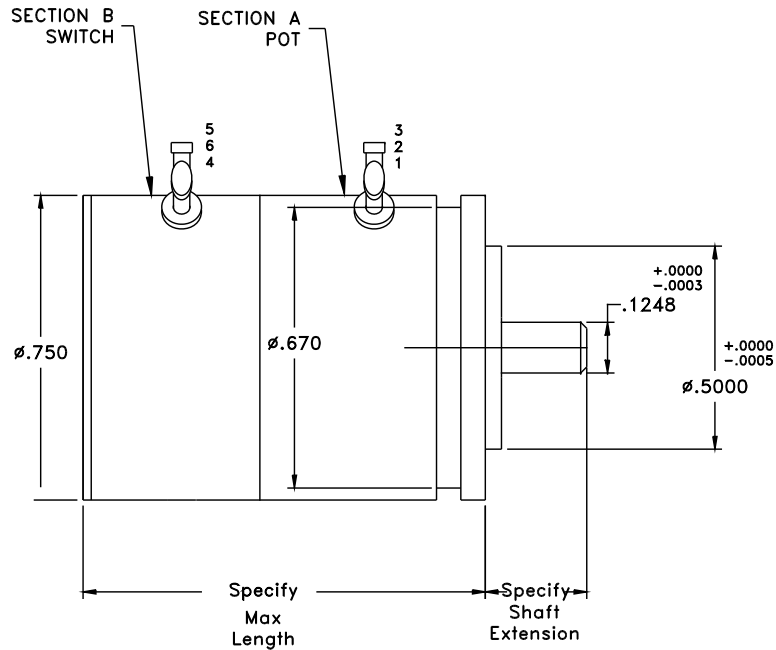


# SERIES 2030 – MULTI GANG (POT/SWITCH) – WIREWOUND



STANDARD SHAFT DIAMETERS:  
 $\phi.125$ ,  $\phi.250$

STANDARD HOUSING DIAMETERS:  
 $\phi.875$ ,  $\phi.1.370$ ,  $\phi.1.5$ ,  $\phi.1.75$ ,  $\phi.2.0$

## SPECIFICATIONS

### MECHANICAL

MECHANICAL ANGLE: 360° CONTINUOUS  
 STOP AVAILABLE FROM 70°

### ELECTRICAL

STANDARD RESISTANCE: 1K, 2K, 5K, 10K, 20K, 50K, 100K  
 ELECTRICAL ANGLE:  $\pm 55^\circ$  to 350°  
 LINEARITY: 1% DOWN TO .2% (INDEPENDENT)  
 (DEPENDANT ON ANGLE AND RESISTANCE)

OUTPUT SMOOTHNESS: 0.25%

POWER RATING: 1.2 WATTS NOMINAL

INSULATION RESISTANCE: 50 MEGOHMS @ 500 VDC

DIELECTRIC STRENGTH: 750 VRMS

### SWITCH (SECTION 2)

SWITCH DEGREES: AS PER SCHEMATIC ON SHEET 1

CONTACT RESISTANCE: CLOSE 100 OHMS MAX., OPEN 10 MEGOHMS MIN.

PHASING: THE MECHANICAL MIDPOINT OF THE CONDUCTIVE SECTION (50%) OF THE ROTARY SWITCH SHALL BE ALIGNED WITH THE MIDRANGE OF THE POTENTIOMETER SECTION WITHIN  $\pm 0.15^\circ$ .

### MATERIALS

ANODIZED ALUMINUM HOUSING

STAINLESS STEEL SHAFT

CONTACTS: MULTI FINGER PRECIOUS METAL

ELEMENTS: WIREWOUND

### ENVIRONMENTAL

TEMPERATURE:  $-65^\circ\text{C}$  TO  $+125^\circ\text{C}$

LIFE: THE OPERATIONAL LIFE OF THE POTENTIOMETER SHALL BE  $10 \times 10^6$  CYCLES.

### OPTIONAL FEATURES

TERMINATIONS:

TERMINALS

LEAD WIRE

ENVIRONMENTAL SEALS

ABSOLUTE LINEARITY

